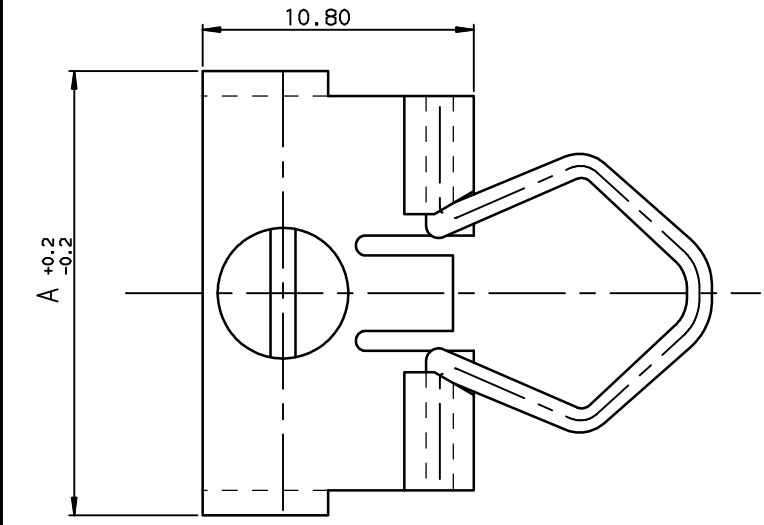


865520991ALF	17.10	per 100
865520981ALF	14.30	per 100
PART NUMBER	A	PACKAGING

NOTE1:RoHS INFORMATIONS

- The "LF" product meets European union Directives and other country regulations as described in 65-22-008.
- The product is not intended to be exposed to a manufacturing solder process.
- Plating: Zinc Cr3+, white color.
- Packaging spec: see 65-14-920.



European Views

www.fciconnect.com		surface ISO 1302 ✓	tolerance std ISO 406 ISO 1101	projection mm
		TOLERANCES UNLESS OTHERWISE SPECIFIED		
Dr	GOISNARD	2006/01/12	ANGULAR	0.x ±0.1
Eng	PESSON	2006/01/12	LINEAR	0.xx ±0.1
Chr	LEGARE	2006/01/12	0.xx' ±2'	0.xxx ±0.1
Appr	LEGARE	2006/01/12	Product family	D-SUB
				size A3
				Scale 5
				ECN L506-0095
				Spec ref -
FCI title LEVER LOCKS MALE (SHELL SIZE 09-15-25-37-50)			catLog no -	Rev. B C01-8655-1673
			CUSTOMER	sheet 1 of 1

rev	ecn no	dr	date
A	L505-0123	LGO	2006/01/12
B	L506-0095	LGO	2006/06/26
-	-	-	-
-	-	-	-
-	-	-	-
-	-	-	-